

BUMPA II

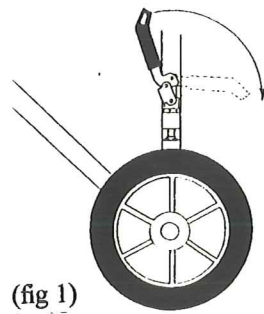


OPERATING INSTRUCTIONS

ALWAYS READ INSTRUCTIONS BEFORE OPERATING MACHINE

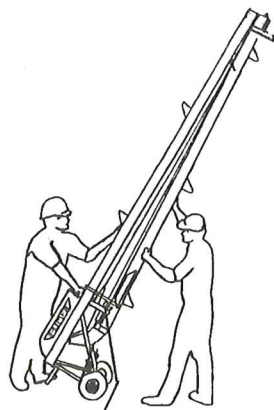
ERECTING THE BUMPA (2 MEN REQUIRED)

1 To prevent risk of injury or damage to machine, first select a suitable level area to open machine. Always check for overhead obstructions i.e. branches, cables etc. prior to opening machine.



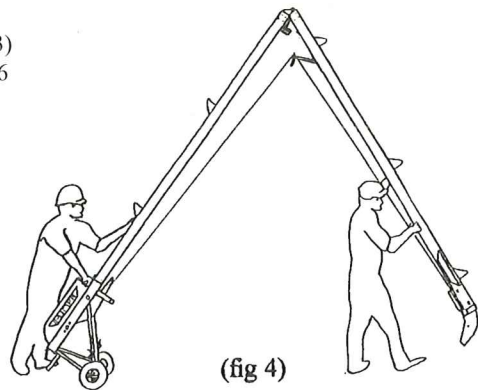
(fig 1)

2 Lock wheel brakes on (fig 1), then with man 1 standing on the hoop at base of machine, to counter-balance weight, (man 1 must remain in position to counter-balance machine throughout opening sequence), man 2 raises the opposite end until machine bottoms on base hoop. (fig 2)



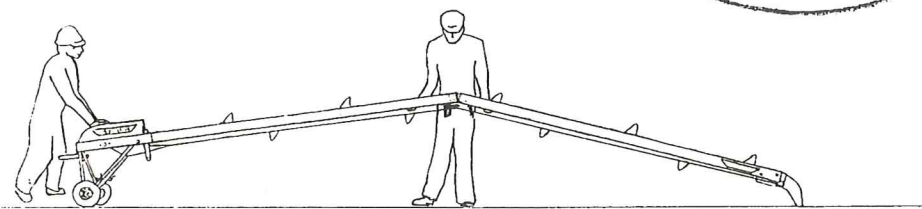
(fig 2)

3 Release antiluce catches (fig 3) and walk top boom approx 5-6 paces apart then rest head of machine on ground. (fig 4).

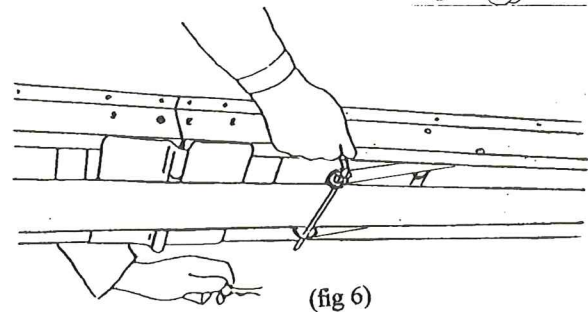


(fig 4)

4 With man 2 supporting the machine at centre, (fig 5) man 1 releases the brakes and walks the base backwards until the machine is fully open. **Keep hands clear of closing centre hinge when opening machine to prevent risk of injury**

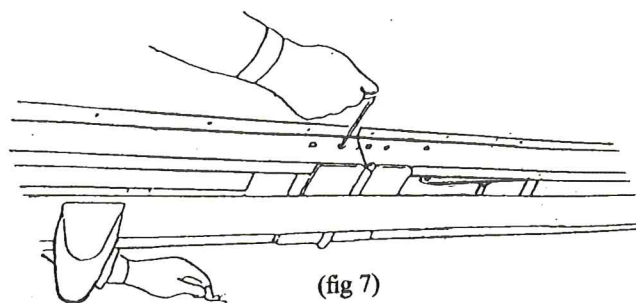


(fig 5)



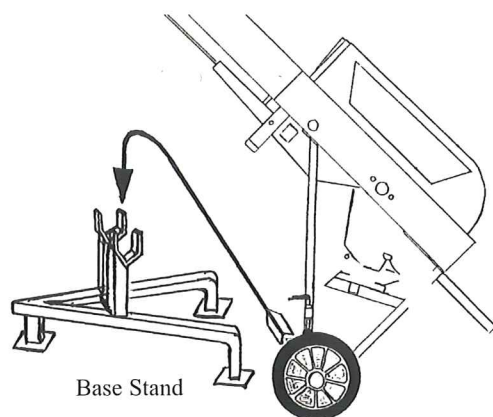
(fig 6)

5 Remove clip and withdraw hinge pin from belt retaining device (fig 6) then locate pin through hinge (fig 7) and replace clip. **Never operate machine without hinge pin in place.**

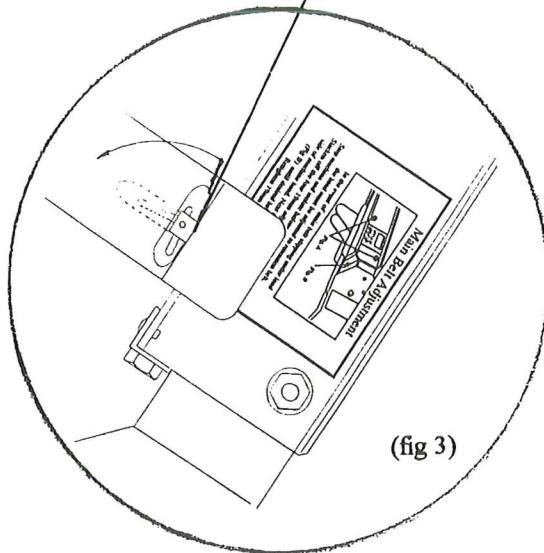


(fig 7)

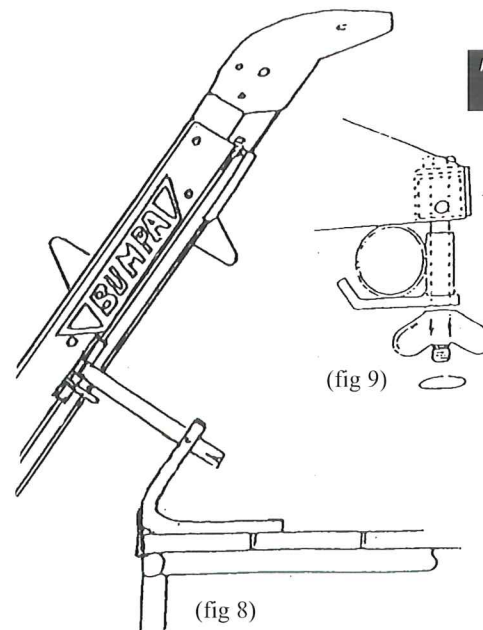
6 The head of the machine can now be raised to the roof/scaffold by rope. The base is guided and positioned by man 1. To gain extra height, the machine can be raised into the base stand (opposite).



Base Stand



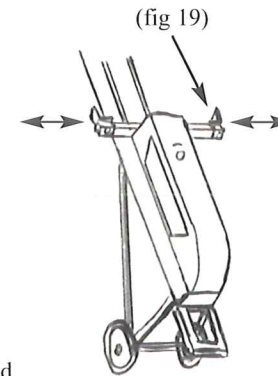
(fig 3)



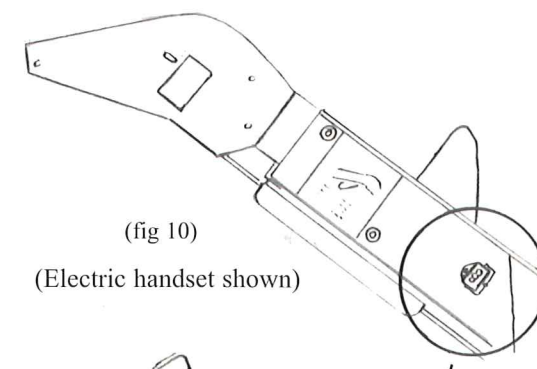
(fig 8)

7 Once the machine head is on the scaffold, the stand can be positioned and fixed either to the scaffold boards (fig 8) or roof. Alternatively, the head can be clamped to the handrail using the clamp provided (fig 9). Ensure returning belt carrier clears scaffold before starting machine and that remote handset is plugged in at head. (fig 10)

(fig 9)



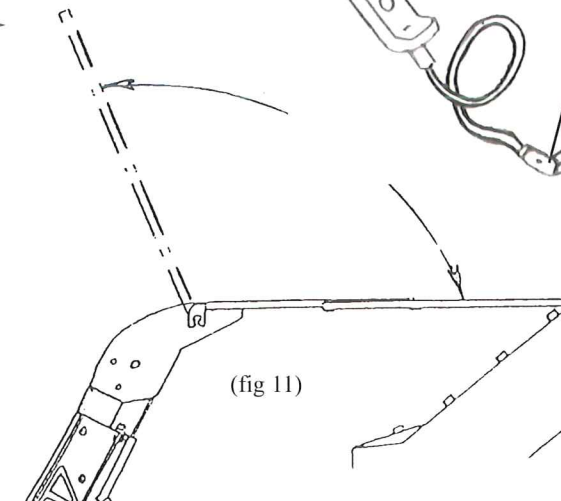
(fig 9)



(fig 10)

(Electric handset shown)

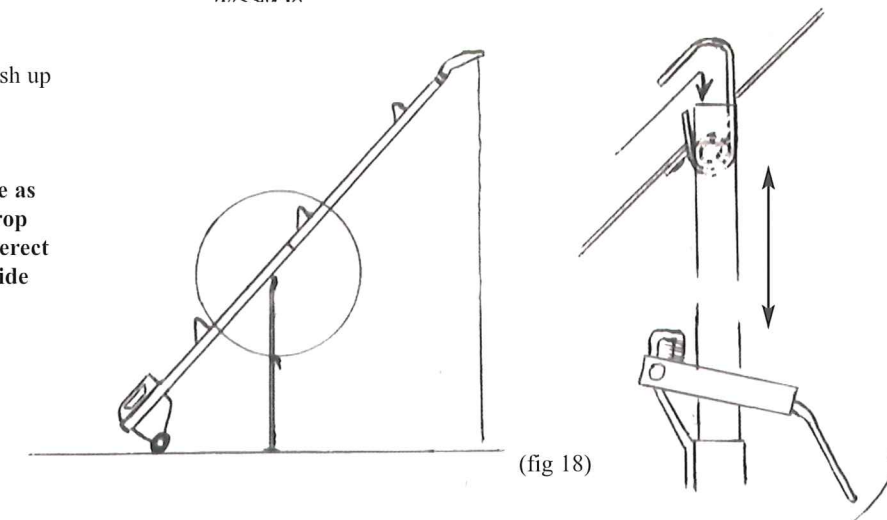
8 With the machine secured at the scaffold the delivery chute is now fitted by slotting in the chute to the head lugs, then rotating to the required angle, extended and fixed. (fig 11). **N.B. 10m machines must have the centre support prop fitted prior to loading. (fig 18). See below**



(fig 11)

Fitting centre prop (10m only)

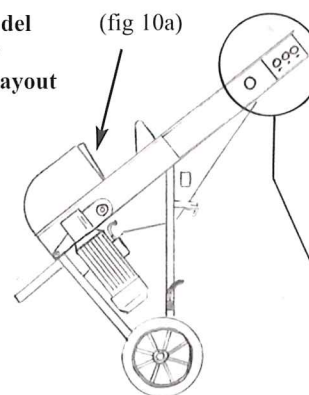
Hook centre prop over prop rest on machine then push up and adjust with lever until prop is near vertical with machine straight (fig 18). Prop is self locking when extending however lever must be lifted to retract. **Never operate 10m machine without prop in place as machine would be unstable. Periodically check prop positioning during operation of machine. Always erect a safety barrier to prevent access through underside of machine prior to use to prevent risk of injury should a load become dislodged and fall. Set loading guides to centralise load (fig 19).**



(fig 18)

Operating 110v Electric Machines

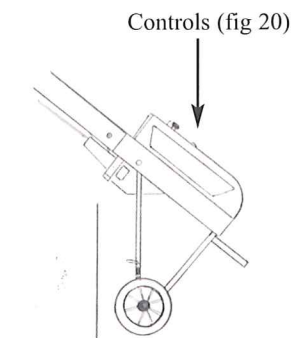
**U.S Model
110v
Control Layout**



Controls (fig 19)

All 110v electric machines have integral motors, requiring a 3kva supply. Max 10m cable should be used to avoid excessive voltage drop. The machine will not run if illuminated stop/power button is flashing, indicating either the handset is not plugged in or the stop button is depressed. When reversing, load stops automatically on stop gate at base of machine. (fig 10a)

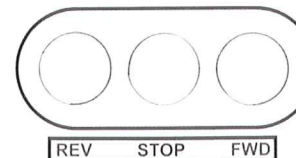
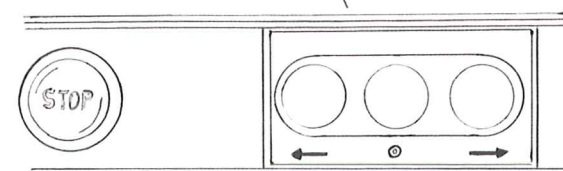
**U.K Model
110v
Control Layout**



Controls (fig 20)

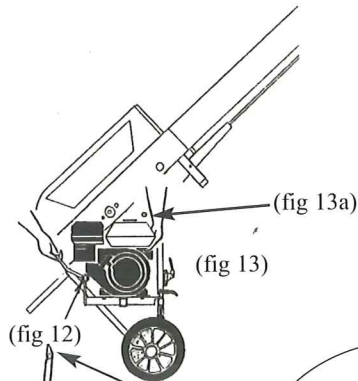


(fig 20)

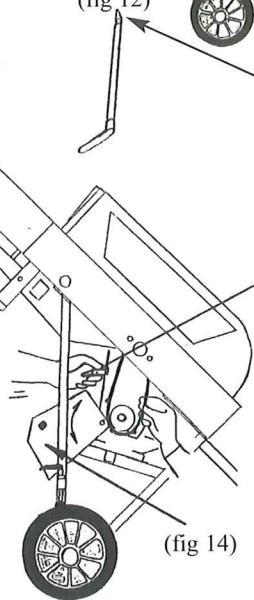


**Fitting the motor
(Petrol version)**

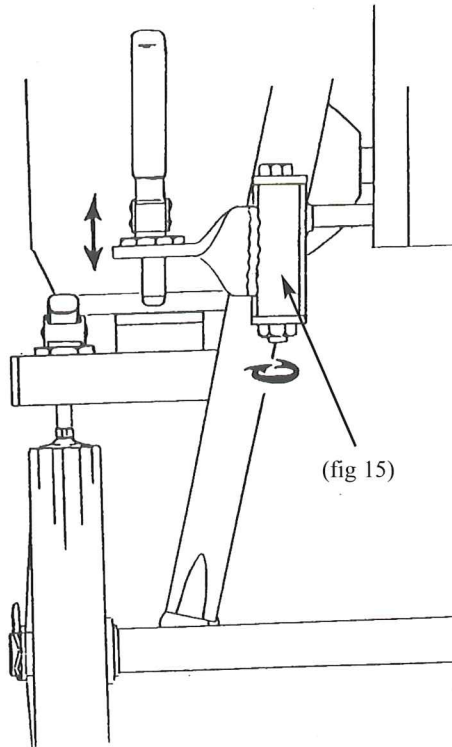
A Remove engine pin (fig 12) and position engine unit to rest into frame on pivot collar (fig 13). Replace pin and lock antiluce fastener.



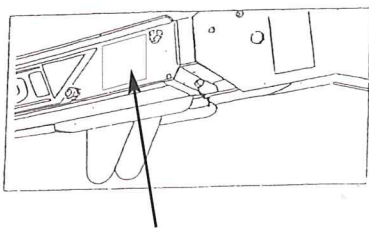
B Lift antiluce fastener and rotate belt cover clear to expose pulley (fig 14). Place Vee belts onto machine pulley, then lift engine to position belts onto engine pulley, lower engine.



C Rotate engine belt tensioner (fig 15) into place so plunger is over recess in engine cradle and operate lever to tension belts. Rotate belt guard back up and lock fastener (fig 14) Plug remote cable into machine (fig 13a).
Never operate machine with cover open or remote cable unplugged.



BASIC MAINTENANCE TIPS

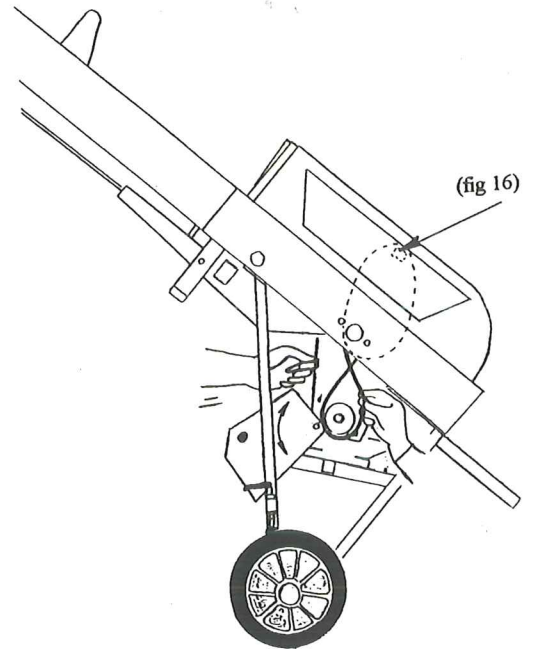


For Main Belt Adjustment see instruction label at head of machine (see above)

Fault Finding 110v Electric Machines

No stop light - Machine doesn't run	Check power supply Check cable condition Check plug wiring	Unplug machine, wait for 30 seconds then re-connect.
Flashing Stop Light - Machine doesn't run	Reset emergency stop button and ensure handset is plugged in at top of machine	Unplug machine, wait for 30 seconds then re-connect.
Machine starts but stops immediately	Under voltage - Check power supply	
Machine runs forward but won't reverse	Stop gate jammed (fig 10a) Faulty microswitch on stop gate	Operate stop gate to clear jam Check micro switch

D To Reverse Machine (petrol)
Fit engine as per A.
Release black Vee belts and place on hanger (up in bonnet) (fig 16). Unhook Green belt and place on n/s machine pulley. Cross belt in figure of 8, lift engine and position on n/s engine pulley. Lower engine to hang on belt. Close cover.
Do not use belt tensioner when using machine in reverse.



**MAXIMUM PAYLOAD
20KG PER CARRIER
(MAX TOTAL BELT LOAD 80KG)**

SAFETY INSTRUCTIONS

- 1) Ensure machine head is clamped securely / locked into stand and delivery chute fitted.
- 2) Ensure base of machine is level and wheel brakes are locked on.
- 3) Erect a safety barrier to prohibit access through underside of machine.
- 4) Hard hats must be worn by operatives.
- 5) Ensure remote handset is plugged in at top and easily accessible.
- 6) In the event of a jam, stop machine immediately and reverse to clear.
- 7) Route supply cable to minimise the chances of damage or accident.
- 8) Never operate 10m machines without centre prop in place.
- 9) Ensure load to be transported is secure, and that machine is suitable for product.
- 10) Never ride on machine or operate machine when under the influence of alcohol or drugs.



Tel: +44 (0)1536 206600
Fax: +44 (0)1536 206173
Email: sales@maceindustries.co.uk
Website: www.maceindustries.co.uk